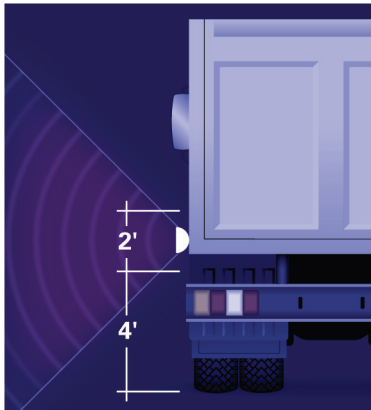




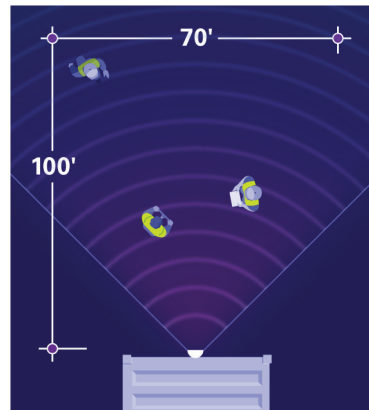
WHERE YOU INSTALL CAN MAKE A BIG DIFFERENCE

In order to maximize the illumination of high-visibility material in your work zone (like safety vests, helmets, traffic cones, barricades, and traffic signs) please follow these recommendations when installing and positioning your Grote WorkShield lamps.



It is recommended that Grote WorkShield lamps are mounted at a height range of 48" to 72" off the ground.

This ensures the light pattern will impact and illuminate the majority of the high visibility material in the working environment.

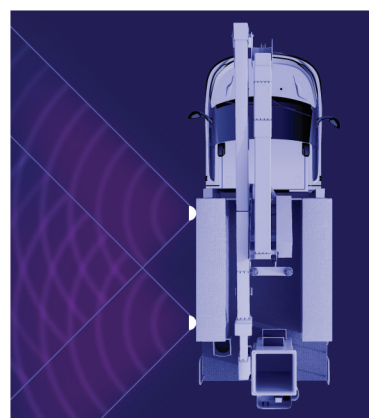


Grote WorkShield lamps create a triangular work zone that is approximately 3,000 square feet in size. It is important to ensure that the lamps are mounted so that workers (and high visibility materials) are operating in the center of this work zone. This will ensure maximum visibility.



For applications which commonly have work taking place behind the vehicle, like on recycling trucks or tow trucks, we recommend two Grote WorkShield units be installed pointing inward to the center of the back of the vehicle.

This will ensure that workers are covered from multiple angles ensuring maximum illumination, and therefore increased visibility to oncoming traffic.



Service trucks or boom trucks may consider mounting the lamps at two locations on the vehicle so they converge at the center point and ensure maximum coverage and illumination of the work zone.

Multiple mounting heights may also be considered if workers are commonly lower or higher than 48" to 72" from the road surface where the truck is located. A bucket truck is an example of a vehicle where one operator is low, while the other is elevated.



EZ-FIND
SCAN FOR TECH SPECS,
RELATED PRODUCTS
AND MORE

**FOR MORE INFORMATION
VISIT OUR WEBSITE.
GROTE.COM**

