

# LED 18 INCH RECTANGULAR DOME LAMPS

## FROM GROTE



GROTE LED

12/24V

DUAL VOLTAGE



MADE IN CANADA



3-YEAR WARRANTY

**MATERIAL:**

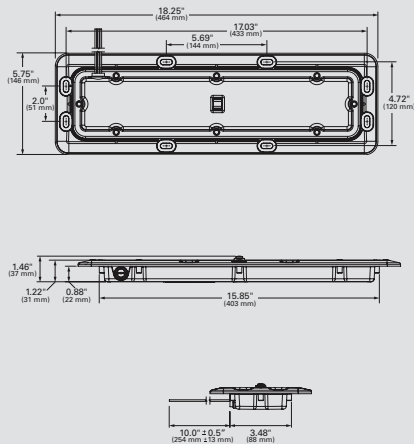
HOUSING: POLYCARBONATE, WHITE  
LENS: POLYCARBONATE, CLEAR

**REGULATIONS:** FMVSS-302  
(NON-SENSOR VERSIONS)

### MULTIPLE OPTIONS AVAILABLE TO FIT EVERY NEED



- Still produced at our Grote Electronics facility in Canada, these lamps now feature improved LEDs as well as a sleeker, more modern appearance.
- The plastic back panel, integral flange, and improved seal make the lamps less susceptible to moisture intrusion, removing the need for potting.
- The molded plastic back panel allows for secure mounting through the lens and has no sharp edges, meaning no snags during installation.
- Motion sensor versions feature a built-in, automatic thermal protection device.
- The interconnected version (61P61) is synchronized with one-on/all-on motion sensor detection.
- Motion sensor versions contain a passive infrared sensor switch which is specially designed to detect human body infrared signature within 10 feet, eliminating the need for additional switches.



PART #	DESCRIPTION	LUMENS	# OF LEDS	VOLTAGE	MOTION
61P11	18" Dome Lamp	1000	10	12V	No
61P21	18" Dome Lamp	1500	18	12V	No
61P31	18" Dome Lamp w/MS	1000	10	12V	Yes
61P41	18" Dome Lamp w/MS	1000	6	12V	Yes
61P51	18" Dome Lamp w/MS	1500	18	12V	Yes
61P61	18" Dome w/MS & SYNC	1000	6	12V	Yes
61P71	18" Dome Lamp 24V	1000	16	24V	No
61P81	18" Dome Bi-Volt w/MS	1000	6	12V/24V	Yes
61P91	18" Dome Lamp w/dim function	1500	18	12V	No



**EZ-FIND**  
SCAN FOR TECH SPECS,  
RELATED PRODUCTS  
AND MORE

GLB2024-066

**FOR MORE INFORMATION  
VISIT OUR WEBSITE.  
GROTE.COM**

