

# 14

## MOUNTING OPTIONS

*OPTIONS DE FIXATION*

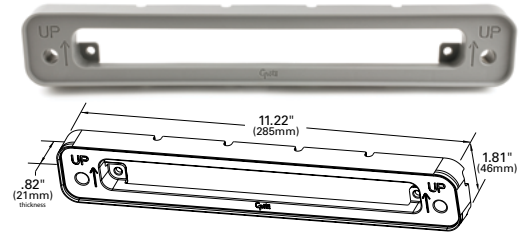
*OPCIONES DE MONTAJE*

### SPACER WIRE GUIDE

For use with LED Radius Light 64M11-5 or LED Fairing Light 64M21-5  
 • Designed for extended installation and wire routing  
 • Install with two #8 fasteners (not included)

**49501-3** Spacer and Wire Guide - Bulk Pack

**VMRS Code:** 034-006-034

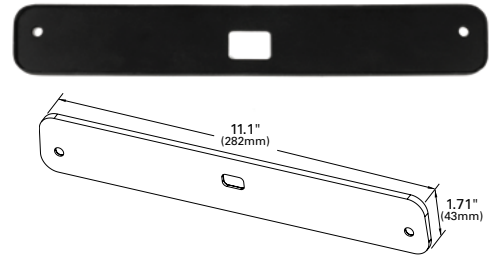


### GASKET

To be used when surface mounting the LED Radius Light 64M11-5 or LED Fairing Light 64M21-5

**49511-3** Gasket - Bulk Pack

**VMRS Code:** 034-001-122



### SNAP-IN COVER PLATES

Cover plate is held in place by snap tabs instead of screws for fast and easy installation • For use in retrofit of Grote S/T/T w/ integrated back-up lamps

- 94380-4** 4" Round Gray, Pair Pack
- 94382-4** 4" Round Black, Pair Pack
- 94390-4** 6" Oval Gray, Pair Pack
- 94392-4** 6" Oval Black, Pair Pack

**Material:** Polycarbonate  
**VMRS Code:** 034-022-006

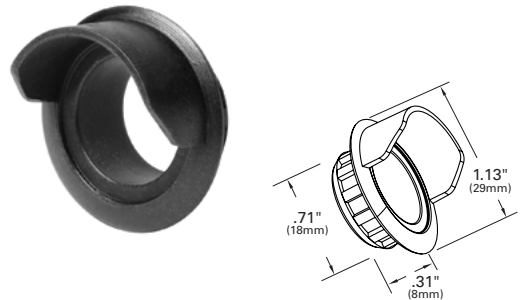


### HOODED MICRONOVA® DOT GROMMET

Fits MicroNova® Dot lamps • For plate thickness to 1/4"

**94360** Black

**Material:** PVC  
**Finish:** Black  
**VMRS Code:** 034-004-058

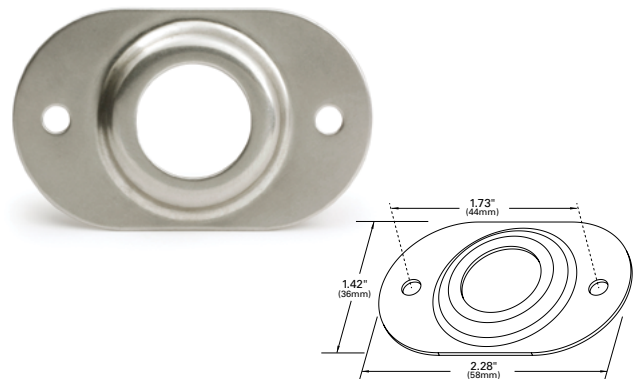


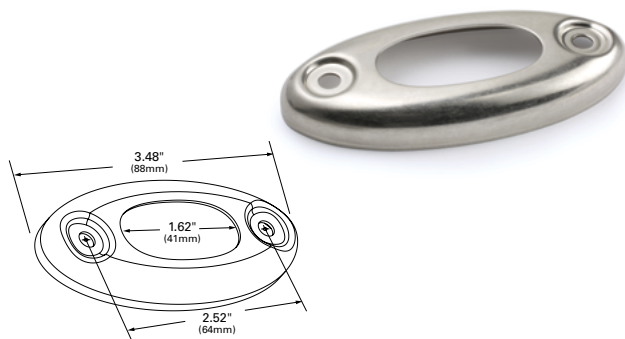
### MICRONOVA® SECURITY PLATE

Installs over grommet-mounted MicroNova® Dot without impeding light output performance • Use stainless steel rivets (.119 rivet) or screws (not included) to mount directly to the vehicle • Not for use with 94360

**42063** Stainless Steel

**Material:** Stainless Steel  
**Finish:** Stainless Steel  
**VMRS Code:** 034-004-036





### MICRONOVA® OVAL BEZEL

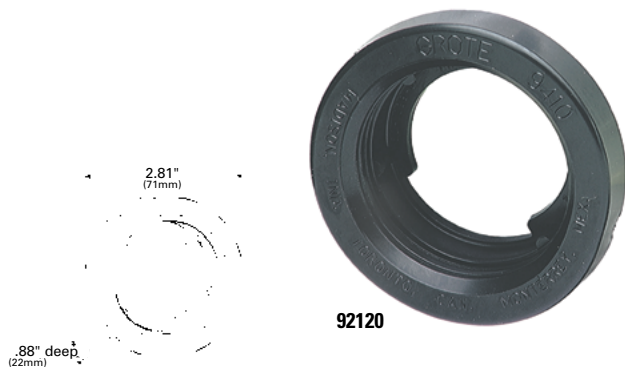
- Plate mounts directly to vehicle with stainless steel rivets or screws
- Provides an additional layer of theft deterrence
- Prevents lamp rotation when installed

**42343** Stainless Steel Bezel

**Material:** Stainless Steel

**Finish:** Stainless Steel

**VMRS Code:** 034-004-043



### RECESSED MOUNTING GROMMET FOR 2" ROUND LAMPS

Requires 2 5/16" mounting hole • Fits panel thickness up to 1/4"

**92120** Open Grommet

**92150** Closed Back Grommet

#### KITS:

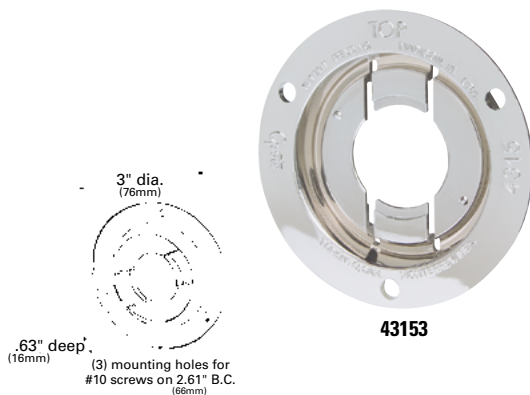
**94100** Open Grommet (92120 + 67050)

**Material:** PVC

**Finish:** Black

**VMRS Code:** 034-004-058 - 92120

034-004-027 - 92150



### THEFT-RESISTANT MOUNTING FLANGE FOR 2" ROUND LAMPS

Patented twist-in locking system keeps lamp from backing out • Ideal for LED lighting • For use with 2" LED and incandescent lamps • Requires 2 1/4" mounting hole

**43150** Gray, Polycarbonate

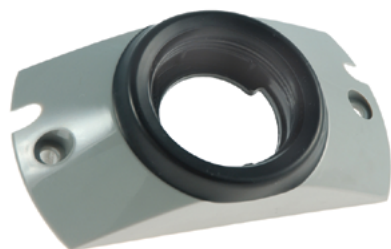
**43152** Black, Polycarbonate

**43153** Chrome-Plated, ABS

**Material:** Polycarbonate/ABS

**Finish:** Gray/Black/Chrome

**VMRS Code:** 034-004-036



### SURFACE MOUNT BRACKET WITH GROMMET FOR 2" ROUND LAMPS

4 1/4" mounting screw hole spacing

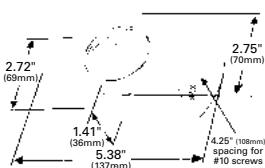
**93760** Gray

**Material:** Polycarbonate

**Finish:** Gray

**Grommet:** 92120

**VMRS Code:** 034-004-036

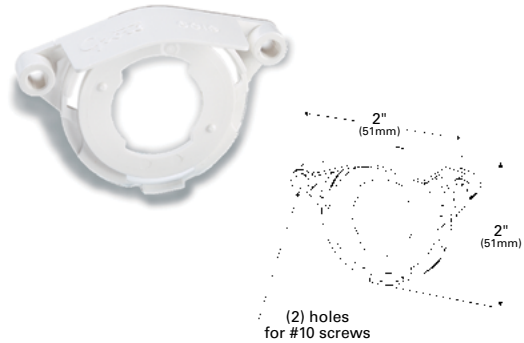


**2" AND 2½" LICENSE LAMP MOUNTING BRACKET**

Anti-glare shield eliminates stray light from distracting following motorists

**43040** White

**Material:** Polycarbonate  
**Finish:** White  
**VMRS Code:** 034-004-036



**RECESSED MOUNTING GROMMET FOR 2½" ROUND LAMPS**

- Requires 2 25/32" hole
- Fits panel thickness up to 1/8"

**91400** Open Grommet  
**92070** Closed-Back Grommet

**KITS:**

**94010** Open Grommet (91400 + 67050)

**Material:** PVC  
**Finish:** Black  
**VMRS Code:** 034-004-058



**RECESSED MOUNTING GROMMET FOR 2½" ROUND LAMPS**

- Requires 3" hole
- Fits panel thickness up to 1/4"

**91410** Open Grommet

**KITS:**

**94000** Open Grommet (91410 + 67050)

**Material:** PVC  
**Finish:** Black  
**VMRS Code:** 034-004-058

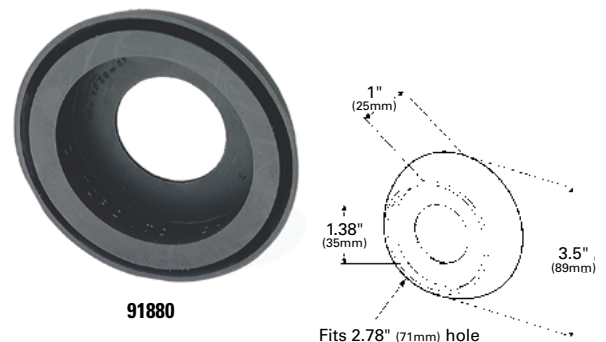


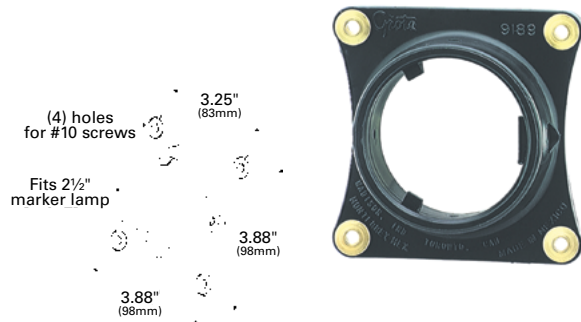
**45° ANGLED BEVELED-EDGE RECESSED MOUNTING GROMMET FOR 2½" ROUND LAMPS**

Fits 2 3/4" hole • Open back fits panel thickness up to 3/16", closed back fits up to 3/8"

**91880** Open Grommet  
**92920** Closed-Back Grommet

**Material:** PVC  
**Finish:** Black  
**VMRS Code:** 034-004-058





## SURFACE MOUNT GROMMET FOR 2 1/2" ROUND LAMPS

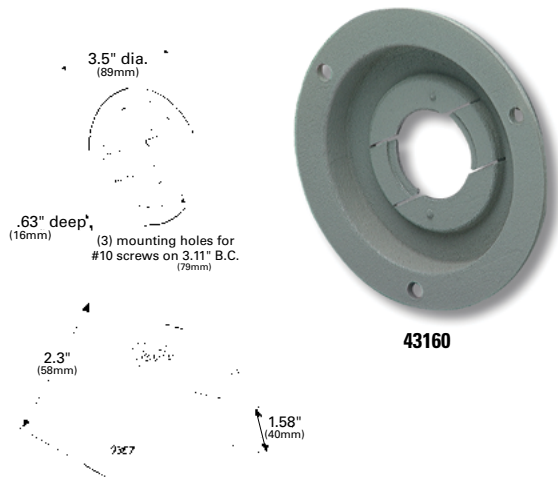
Protective brass eyelets for mounting screw

**91890** Open Grommet

**Material:** PVC

**Finish:** Black

**VMRS Code:** 034-004-058



## THEFT-RESISTANT MOUNTING FLANGE FOR 2 1/2" ROUND LAMPS

Patented twist-in locking system keeps lamp from backing out • Ideal for LED lighting • Fits 2 1/2" LED and incandescent lamps • Requires 2 5/8" mounting hole

### MOUNTING FLANGE:

**43160** Gray, Polycarbonate

**43162** Black, Polycarbonate

**43163** Chrome-Plated, ABS

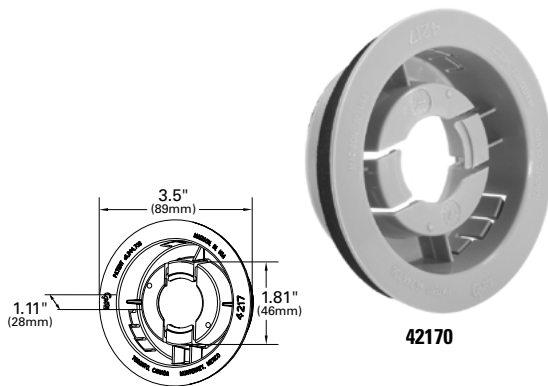
### PIGTAIL RETENTION CAP:

**93670** Gray

**Material:** Polycarbonate/ABS

**Finish:** Gray/Black/Chrome

**VMRS Code:** 034-004-036



## SNAP-IN MOUNTING FLANGE FOR 2 1/2" ROUND LAMPS

Flange is held into place by snap tabs for a quicker, easier installation • Snap tabs on the flange lock the flange into place, keeping it from backing out of the hole • Foam gasket allows for mounting in materials from 1/8" to 1/4" thick • Requires 2 25/32" mounting hole

### MOUNTING FLANGE:

**42170** Gray

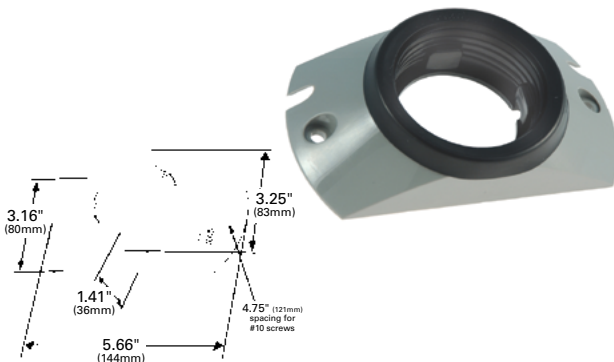
### SECURITY RING:

**43823** Stainless Steel

**Material:** Polycarbonate/Stainless Steel

**Finish:** Gray/Chrome

**VMRS Code:** 034-004-036



## SURFACE MOUNTING BRACKET WITH GROMMET FOR 2 1/2" ROUND LAMPS

• Includes grommet 91400 • 4 3/4" mounting screw hole spacing

**93750** Gray

**Material:** Polycarbonate/PVC

**Finish:** Gray/Black

**VMRS Code:** 034-004-036

**TWIST-IN SURFACE MOUNT BRACKET FOR 2" AND 2 1/2" ROUND LAMPS**

4" mounting screw hole spacing

**43690** Gray

**Material:** Polycarbonate  
**Finish:** Gray  
**VMRS Code:** 034-004-036

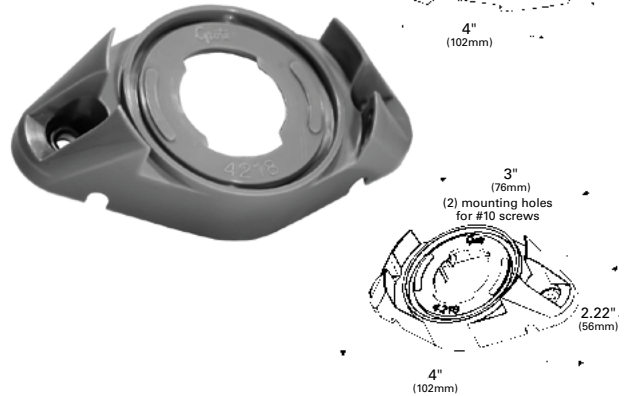


**TWIST-IN SURFACE MOUNT BRACKET FOR 2" AND 2 1/2" ROUND LAMPS**

3" mounting screw hole spacing • Supports the use of PC-rated lamps for greater visibility

**42180** Gray

**Material:** Polycarbonate  
**Finish:** Gray  
**VMRS Code:** 034-004-036

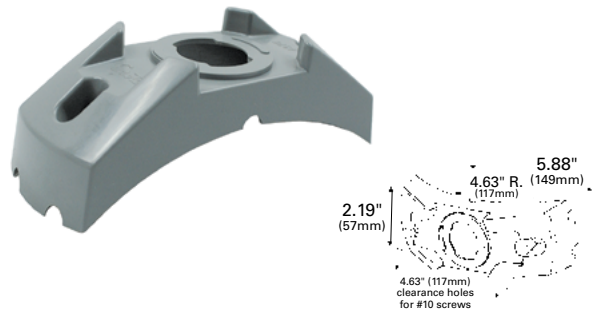


**4 5/8" CORNER RADIUS SURFACE MOUNT BRACKET FOR 2" AND 2 1/2" ROUND LAMPS**

Fits 4 5/8" corner radius • Use with PC-rated lights

**43760** Gray

**Material:** Polycarbonate  
**Finish:** Gray  
**VMRS Code:** 034-004-036



**90° ANGLE MOUNTING BRACKET FOR 2" AND 2 1/2" ROUND LAMPS**

Baked black enamel finish • Grommet required for mounting • 2 1/4" mounting screw hole spacing

**FOR 2 1/2" LAMPS:**

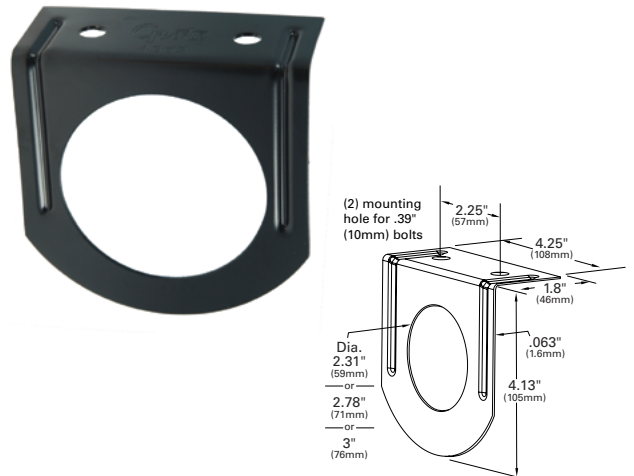
**43512** Accommodates 94010, 91400, 92070 Grommets (2 25/32" Hole)

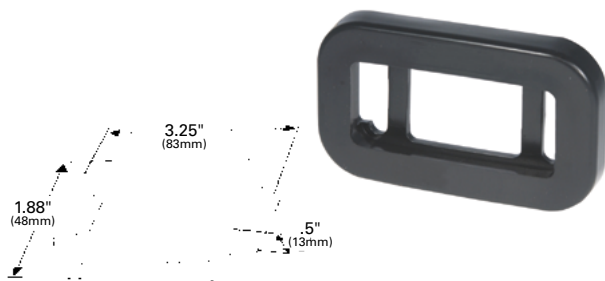
**43522** Accommodates 94000, 91410 Grommets (3" Hole)

**FOR 2" LAMPS:**

**43532** Accommodates 94100, 92120, and 92150 Grommets (2 5/16" Hole)

**Material:** Steel  
**Finish:** Black Enamel  
**VMRS Code:** 034-004-036



**GROMMET FOR SMALL RECTANGULAR LAMPS**

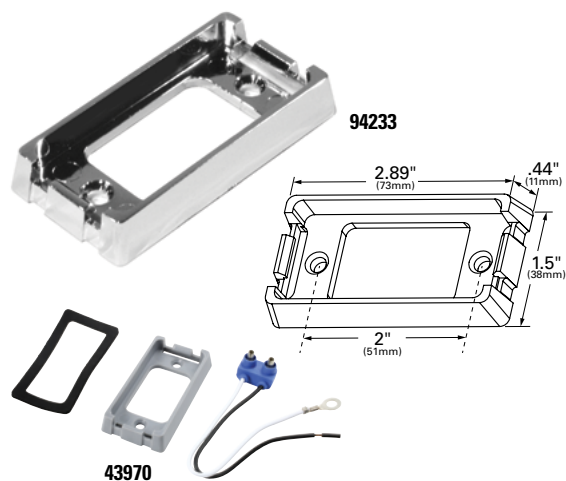
Requires 1 1/2" x 2 7/8" hole (with 3/8" radius corners) • Fits panel thickness up to .2"

**91380** Black

**Material:** PVC

**Finish:** Black

**VMRS Code:** 034-002-002

**BRACKET FOR SMALL RECTANGULAR LAMPS**

2" mounting screw hole spacing • Kits include pigtail and mounting pad

**94233** Chrome-Plated

**KITS:**

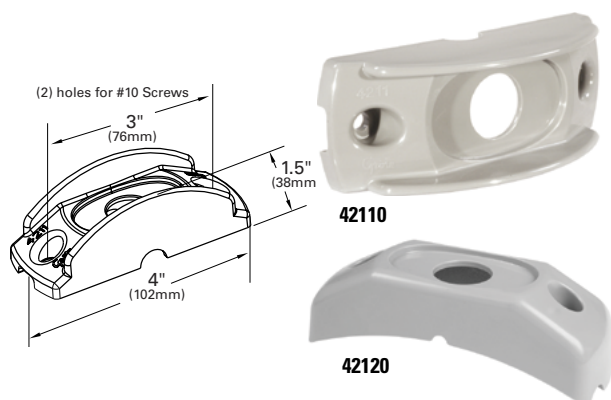
**43970** Gray (+ 67050 pigtail)

**43980** Chrome-Plated (+ 67050 pigtail)

**Material:** Polycarbonate/ABS

**Finish:** Chrome/Gray

**VMRS Code:** 034-002-002 - 94233  
034-004-036 - 43970, 43980

**SURFACE MOUNT BRACKET FOR MICRONOVA® OR MICRONOVA DOT**

Armored design to protect the lamp from damage • 3" mounting screw hole spacing (2 3/4" spacing for radius bracket)

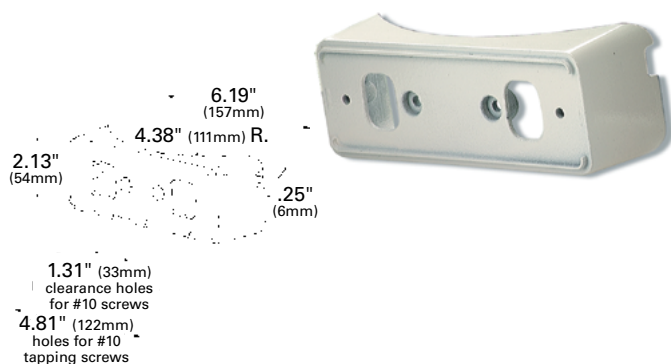
**42110** Gray

**42120** Gray, Corner Radius Bracket

**Material:** Polycarbonate

**Finish:** Gray

**VMRS Code:** 034-004-036 - 42110

**4 3/4" CORNER RADIUS BRACKET**

For use with PC-rated lights • 4 13/16" mounting screw hole spacing • works with Turtleback® II style lamps

**43050** Gray

**Material:** Polycarbonate

**Finish:** Gray

**VMRS Code:** 034-004-036

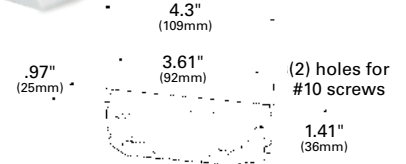
**HEADER-MOUNT BRACKET FOR SMALL RECTANGULAR LAMPS**

Mountable at 45° angle for PC applications • Narrow rail applications  
 • 3 39/64" mounting screw hole spacing • Kit includes single-seal pigtail

**KITS:**

**43380** White (42141 + 67050)

**Material:** Polycarbonate  
**Finish:** White  
**VMRS Code:** 034-004-036

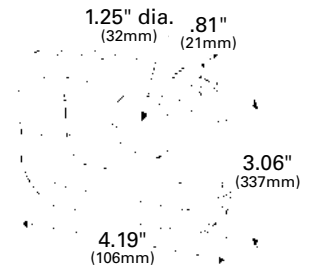


**GROMMET FOR SMALL RECTANGULAR LAMPS**

Requires 2 1/2" x 3 1/2" hole (with 17/32" corners) • Fits panel thickness up to 3/16"

**93400** White  
**93402** Black

**Material:** PVC  
**Finish:** Black/White  
**VMRS Code:** 034-004-058

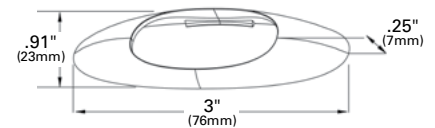


**MICRONOVA® LAMP BEZEL**

Corrosion resistant, chrome-plated • Snap-fit mounting

**93803** Chrome-plated

**Material:** ABS  
**Finish:** Chrome  
**VMRS Code:** 034-004-036

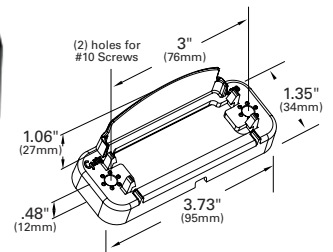


**LICENSE LAMP BRACKET FOR SMALL RECTANGULAR LAMPS**

Anti-glare shield eliminates stray light from distracting following motorists  
 • 3" mounting screw hole spacing • Snap-in lamp installation

**42162** Black

**Material:** Polycarbonate  
**Finish:** Black  
**VMRS Code:** 034-004-036

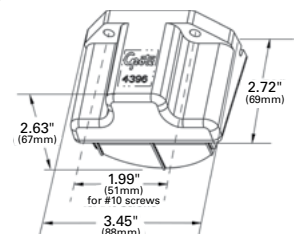


**LICENSE LAMP MOUNTING BRACKET**

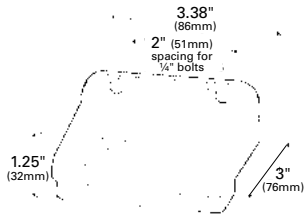
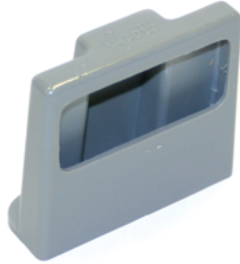
Features snap-in lamp installation • Fits license lamp 60671, 60261, 60601  
 Anti-glare shield eliminates stray light from distracting following motorists  
 • 2" mounting screw hole spacing

**43960** Gray  
**43962** Black

**Material:** Polycarbonate  
**Finish:** Gray/Black  
**VMRS Code:** 034-004-036





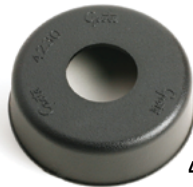
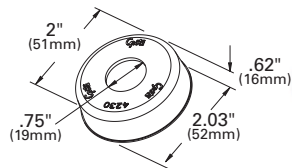


## LICENSE LAMP MOUNTING BRACKET

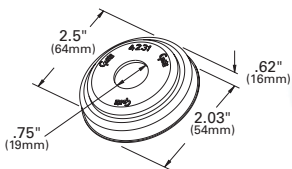
Fits license lamp 60261 • 2" mounting screw hole spacing • Thin design reduces mounting space requirements

**43830** Gray

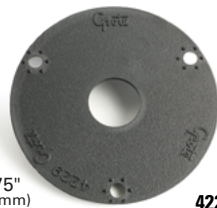
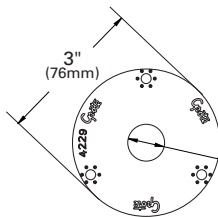
**Material:** Polycarbonate  
**Finish:** Gray  
**Grommet:** 92520  
**VMRS Code:** 034-004-036



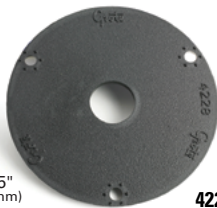
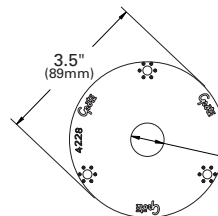
**42302**



**42312**



**42292**



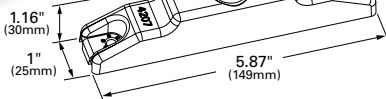
**42282**

## MICRONOVA® DOT ROUND ADAPTER BRACKETS

Assembles directly into 2" and 2.5" PVC grommets • Replaces any incandescent or LED 2" or 2.5" round clearance/marker • Flanges torque to a maximum of 25 in-lbs and mount with three #10 pan or round head screws into existing hole patterns of 2" and 2.5" flanges

**42302** 2" Round Grommet Adapter  
**42312** 2.5" Round Grommet Adapter  
**42292** 3" Round Flange Adapter  
**42282** 3.5" Round Flange Adapter

**VMRS Code:** 034-004-036



## MICRONOVA® SURFACE MOUNT BRACKET

4 13/16" mounting hole separation provides easy retrofit  
 • Great for narrow surface mounting applications

**42070** Gray

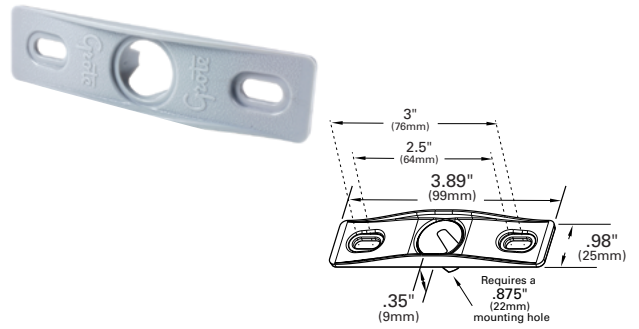
**Material:** Polycarbonate  
**Finish:** Gray  
**VMRS Code:** 034-004-037

### MICRONOVA® DOT ADAPTER BRACKET

Allows the MicroNova® DOT to mount directly to the vehicle using this bracket or snap-fit into compatible 4378-series mounting brackets  
 • 2 1/2" - 3" mounting screw hole spacing

**94350** Gray

**Material:** Polycarbonate  
**Finish:** Gray  
**VMRS Code:** 034-004-036



### MOUNTING BRACKET FOR LARGE RECTANGULAR LAMPS

• 3" mounting screw hole spacing • Kits include unique connector design with plug-in pigtail

**43780** Gray Bracket

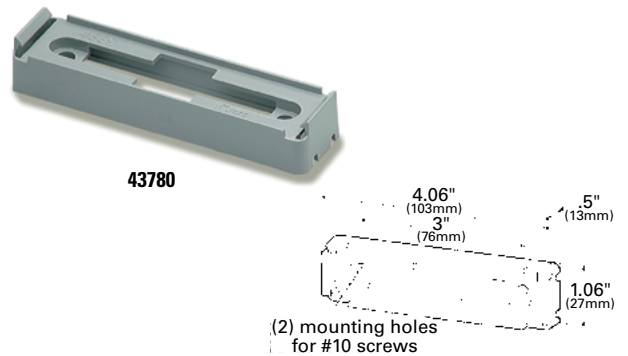
**43783** Chrome-Plated Bracket, ABS

**KITS:**

**43390** Gray (43780 + 66981)

**43790** Gray (43780 + 66980)

**Material:** Polycarbonate/ABS  
**Finish:** Gray/Chrome  
**VMRS Code:** 034-004-036

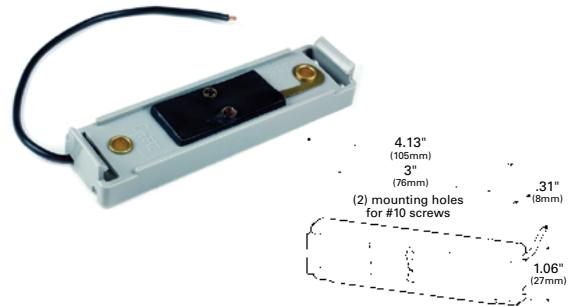


### LOW-PROFILE MOUNTING BRACKET

Integrated plug connection • Legal mount for combination clearance/ marker lamp when mounted on a 45° angle (PC) • 3" mounting screw hole spacing

**43850** Gray

**Material:** Polycarbonate  
**Finish:** Gray  
**VMRS Code:** 034-004-036

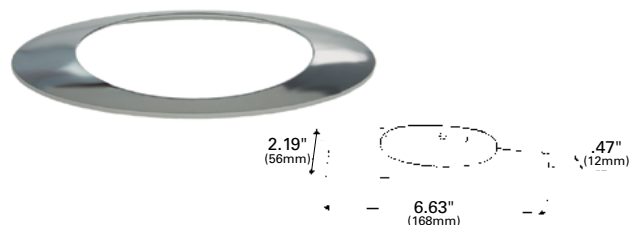


### M1 SERIES LAMP BEZEL

For use with M1 style cab markers

**93453** Chrome

**Material:** ABS  
**Finish:** Chrome  
**VMRS Code:** 034-004-036

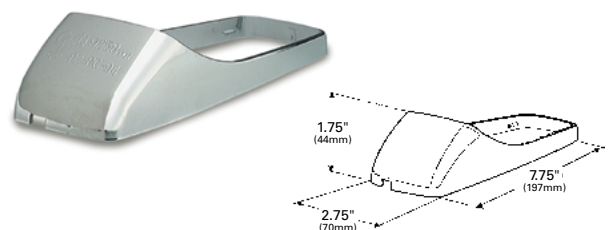


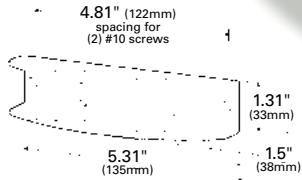
### SMALL CAB MARKER BEZEL

Can be installed while lamps are mounted

**92583** Bezel

**Material:** ABS  
**Finish:** Chrome  
**VMRS Code:** 034-004-036



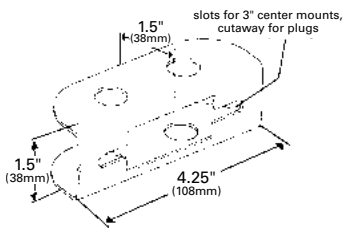


### THIN-LINE LED LAMP GUARD

Cutaway to accept plug-in pigtail • For use with 4690, 4692, and 4693 series lamps

**43074** Aluminum

**Material:** Aluminum  
**Finish:** Aluminum  
**VMRS Code:** 034-004-130

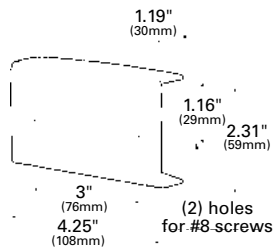


### LAMP GUARD FOR SMALL RECTANGULAR LAMPS

Cutaway to accept plug-in pigtail

**43120** Aluminum

**Material:** Aluminum  
**Finish:** Aluminum  
**VMRS Code:** 034-004-036

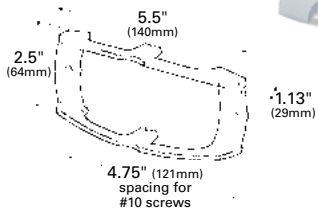


### STEEL LAMP GUARD

For use with 2" x 4" oval and square corner surface mount clearance/marker lamps • 3" mounting screw hole spacing

**43144** Steel

**Material:** Steel  
**Finish:** Silver  
**VMRS Code:** 034-004-130

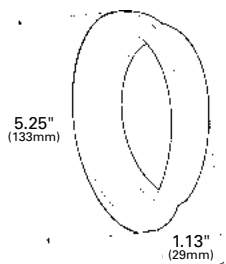


### CHROME BUTTRESS-STYLE LAMP GUARD

For use with 2" x 4" oval and square corner surface mounted lamps • 4 3/4" mounting screw hole spacing

**43673** Chrome-Plated

**Material:** ABS  
**Finish:** Chrome  
**VMRS Code:** 034-004-130



### RECESSED MOUNTING GROMMET FOR 4" ROUND LAMPS

Requires 4 1/2" mounting hole • Fits panel thickness up to 1/4"

**91740** Grommet

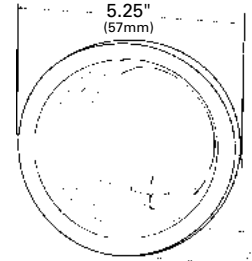
**Material:** PVC  
**Finish:** Black  
**VMRS Code:** 034-002-002 - 91740

**CLOSED BACK RECESSED MOUNTING GROMMET FOR 4" ROUND LAMPS**

For open installations where splash plate is not used • Requires a 4 1/2" mounting hole • Fits panel thickness up to 1/4"

**91950** Grommet

**Material:** PVC  
**Finish:** Black  
**VMRS Code:** 034-002-002

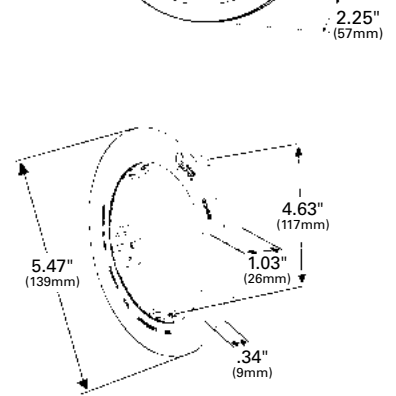


**STAINLESS STEEL SNAP-IN THEFT-RESISTANT MOUNTING FLANGE FOR 4" ROUND LED LAMPS**

Foam gasket allows for mounting in materials from 1/8" to 1/4" thick • Requires 4 1/2" mounting hole • No drilling necessary to install

**93683** Stainless Steel

**Material:** Stainless Steel  
**Finish:** Stainless Steel  
**VMRS Code:** 034-002-006

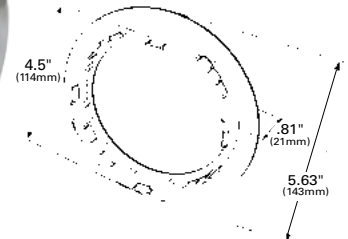


**SNAP-IN THEFT-RESISTANT MOUNTING FLANGE FOR 4" ROUND LED LAMPS**

Fits panel thickness 1/8" to 1/4" • Requires 4 1/2" mounting hole

**93552** Black  
**93553** Chrome-Plated

**Material:** ABS  
**Finish:** Black/Chrome  
**VMRS Code:** 034-002-006



93553

**THEFT-RESISTANT MOUNTING FLANGE FOR 4" ROUND LAMPS**

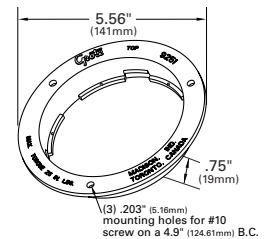
For use with 4" round LED and incandescent lamps • Mounting hole size 4 1/2" diameter

**92510** White, Polycarbonate  
**92512** Black, Polycarbonate  
**92513** Chrome-Plated, ABS  
**92511** Gray, Polycarbonate  
**43253** Stainless Steel

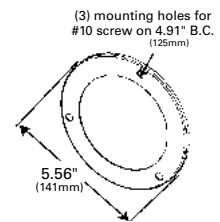
**SECURITY RING**

**43343** Stainless Steel Security Ring (must be used with flange)

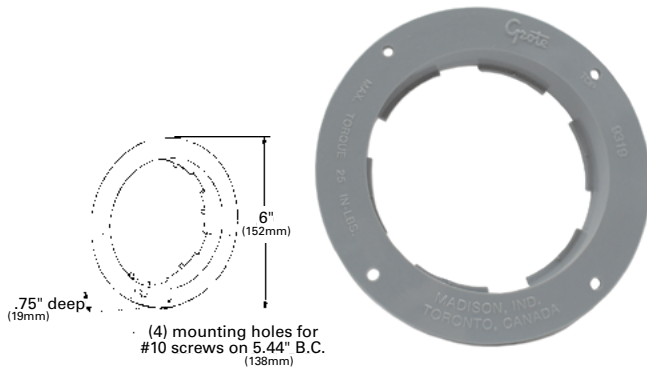
**Material:** Polycarbonate; Stainless Steel; ABS  
**Finish:** White; Gray; Black; Chrome; Stainless Steel  
**VMRS Code:** 034-002-006



43253



43343



### THEFT-RESISTANT BETTS LIGHTING MOUNTING ADAPTER

Allows users to retrofit their Betts brand lighting to Grote® mounting dimensions • Retrofits to Grote® 4" round sealed lamps and LEDs

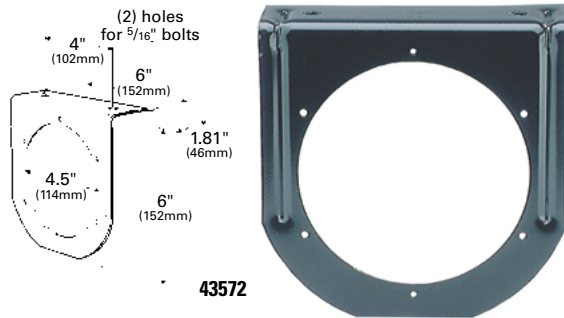
- Requires 4 1/2" diameter mounting hole

**93190** Gray

**Material:** Polycarbonate

**Finish:** Gray

**VMRS Code:** 034-002-006



### ANGLED MOUNTING BRACKET FOR 4" ROUND LAMPS

Accepts lamp equipped with a grommet or flange • 4" mounting screw hole spacing

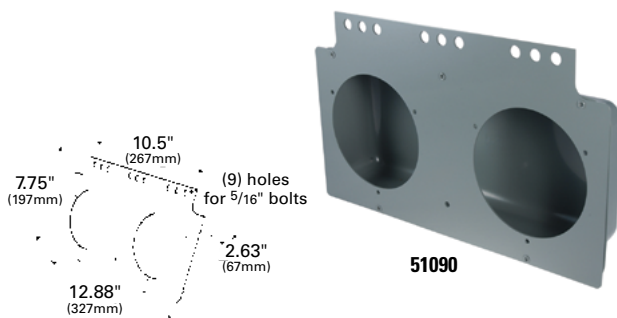
**43572** Black, 90° angle bracket

**Material:** Steel

**Finish:** Black Powder-Coated

**Grommet:** 91740

**VMRS Code:** 034-002-006



### MOUNTING MODULE FOR 4" ROUND LAMPS

Closed back, rear lamp module for lamps requiring 4 1/2" mounting hole opening • Accepts lamps equipped with a grommet or flange

**43655** Yellow Zinc

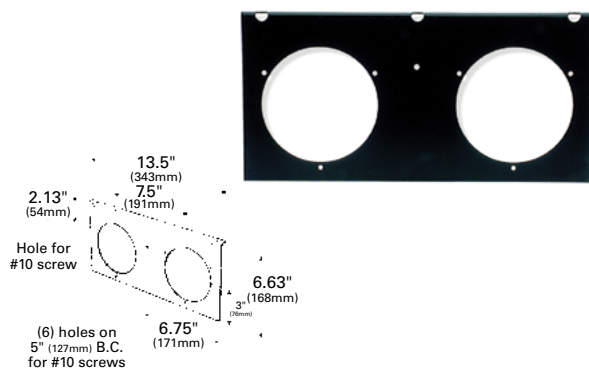
**51090** Gray

**Material:** Steel

**Finish:** Yellow Zinc/Gray Powder-Coated

**VMRS Code:** 034-002-006 - 43655

078-002-004 - 51090



### 2-LAMP MOUNTING MODULE FOR 4" ROUND LAMPS

Two 4 1/2" mounting holes to hold standard recessed lamps or grommet-mounted 4" round lamps • Accepts lamps equipped with a grommet or flange • #10 mounting screw hole in center accepts 2 1/2" round reflector

**43642** Black, Powder-Coated

**Material:** Steel

**Finish:** Black

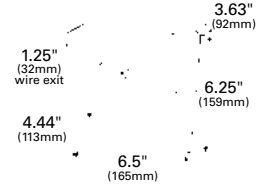
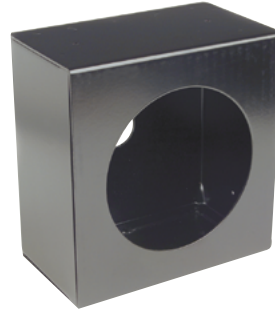
**VMRS Code:** 034-002-006

**MOUNTING MODULE FOR 4" ROUND LAMPS**

Black enamel-coated steel construction • Use with 4" LED strobes or any 4" round lamp • Accepts lamp equipped with a grommet or flange • Weld to your chassis or apparatus

**43732** Black

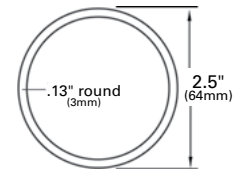
**Material:** Steel  
**Finish:** Black  
**VMRS Code:** 034-001-051



**O-RING**

**94110** O-Ring for use with 46782 and 46783 lamps

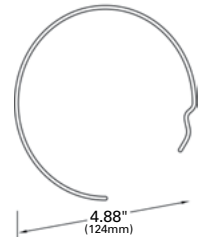
**VMRS Code:** 031-004-124



**SNAP RING**

**99593** Use with 50222 and 50352  
**99595** Use with 50232

**Material:** Stainless Steel  
**Finish:** Stainless Steel  
**VMRS Code:** 034-002-005



**RECESSED MOUNTING GROMMET FOR 6" OVAL LAMPS**

Fits 2 1/2" x 6 3/4" oval mounting hole • Fits panel thickness up to 1/4"

**92420** Open Grommet  
**92720** Closed Back Grommet

**Material:** PVC  
**Finish:** Black  
**VMRS Code:** 034-002-002



**92420**



**SURFACE MOUNT SNAP-IN BRACKET FOR 6" OVAL LAMPS**

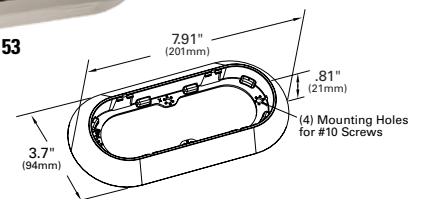
Allows for quick and easy surface mount application • Designed to work with 5413-, 5414-, 5416-, 5417-product lines only. • 6" mounting screw hole spacing

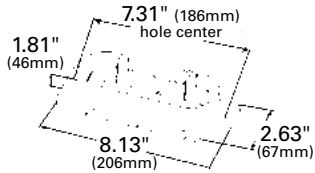
**42152** Black, Polycarbonate  
**42153** Chrome, ABS

**Material:** Polycarbonate/ABS  
**Finish:** Black/Chrome  
**VMRS Code:** 034-004-036



**42153**





## SURFACE MOUNT BRACKET FOR 6" OVAL LAMPS

Can be used with any Grote® 6" oval LED or incandescent lamp

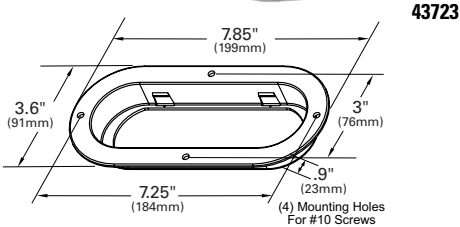
- Ideal for adding LED strobe lamps to a vehicle
- 7 5/16" mounting screw hole spacing

**43172** Black

**Material:** Polycarbonate

**Finish:** Black

**VMRS Code:** 034-002-006



## THEFT-RESISTANT MOUNTING FLANGE FOR 6" OVAL LAMPS

For use with most LED and incandescent lamps • Security ring fits over oval theft-resistant mounting flanges • 7 1/4" x 3" mounting screw hole spacing

**42103** Stainless Steel, Security Ring

**43220** Gray, Polycarbonate

**43222** Black, Polycarbonate

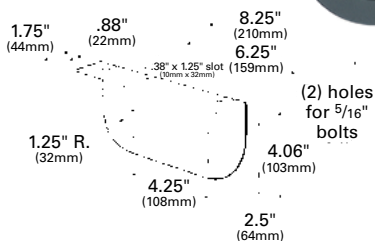
**43223** Chrome-Plated, ABS

**43723** Stainless Steel

**Material:** Polycarbonate/Stainless Steel/ABS

**Finish:** Gray/Black/Stainless Steel/Chrome

**VMRS Code:** 034-002-006



## ANGLED MOUNTING BRACKET FOR 6" OVAL LAMPS

Accepts lamp equipped with a grommet or flange • 6 1/4" mounting screw hole spacing

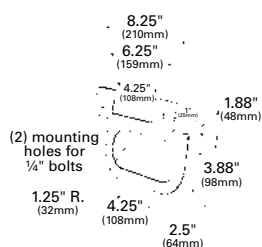
**43362** Black, 90° angle bracket

**Material:** Steel

**Finish:** Black

**Grommet:** 92420

**VMRS Code:** 034-002-006



## "Z" MOUNTING BRACKET FOR 6" OVAL LAMPS

Heavy-gauge steel, baked black enamel finish • Accepts lamp equipped with a grommet or flange • 6 1/4" mounting screw hole spacing

**43952** Black

**Material:** Steel

**Finish:** Black

**Grommet:** 92420

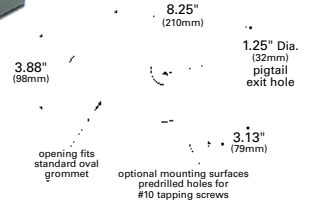
**VMRS Code:** 034-002-006

### MOUNTING BRACKET FOR 6" OVAL LAMPS AND STROBES

Accepts lamp equipped with a grommet or flange • 8 1/4" mounting screw hole spacing • Weld to your chassis or apparatus

**43100** Black

**Material:** Steel  
**Finish:** Black  
**Grommet:** 92420  
**VMRS Code:** 034-001-051

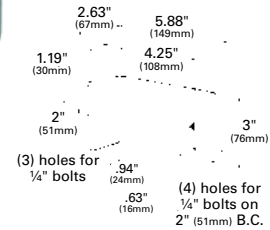


### MOUNTING BRACKET FOR 7" ROUND LAMPS

Heavy-gauge steel • For use with 7800, 7830 and 7831 series lamps

**43282** Black, Powder-Coated

**Material:** Steel  
**Finish:** Black  
**VMRS Code:** 034-003-080

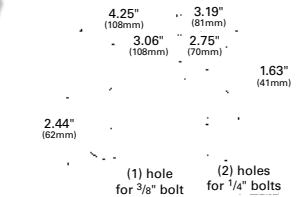


### MOUNTING BRACKET FOR UTILITY LAMPS

Detachable angle mounting bracket for utility work lamps with standard 3/8" mounting

**43292** Black, Powder-Coated

**Material:** Steel  
**Finish:** Black  
**VMRS Code:** 034-003-080

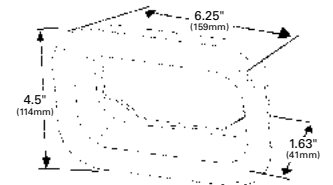


### RECESSED MOUNTING GROMMET FOR RECTANGULAR LAMPS

Requires 5 7/16" x 3 9/16" mounting hole with 1" radius corners • Fits panel thicknesses up to 5/16"

**94180** Mounting Grommet

**Material:** PVC  
**Finish:** Black  
**VMRS Code:** 034-002-002

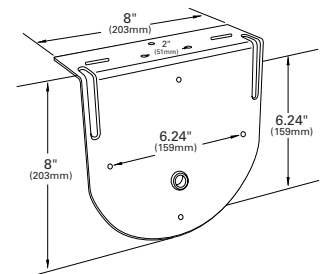


### 90° ANGLE BRACKET FOR 7" ROUND LAMPS

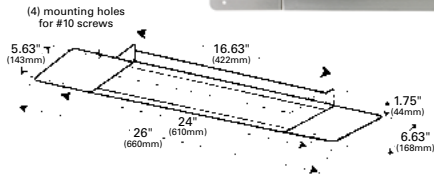
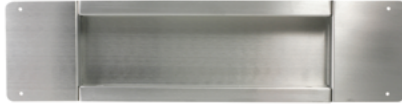
Provides multiple mounting options for flush mount 7" round lamps

**93982** Black, Powder-Coated

**Material:** Steel  
**Finish:** Black  
**VMRS Code:** 034-001-022





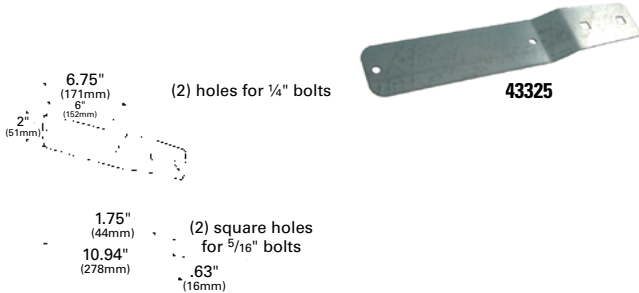


**RECESSED FLUORESCENT LAMP PAN**

Provides a rigid mounting surface for fluorescent lamps • Fits Grote's fluorescent lamp 61511 • Keeps insulation away from lamp

**43540** Recessed Pan

**Material:** Aluminum  
**Finish:** Polished  
**VMRS Code:** 034-004-036



**SLOW-MOVING VEHICLE EMBLEM BRACKETRY**

Easy installation • Use with slow-moving vehicle emblem 71152 (emblem not included)

**EMBLEM BRACKET:**

**43325** Steel

**Material:** Steel  
**Finish:** Galvanized  
**VMRS Code:** 034-001-051



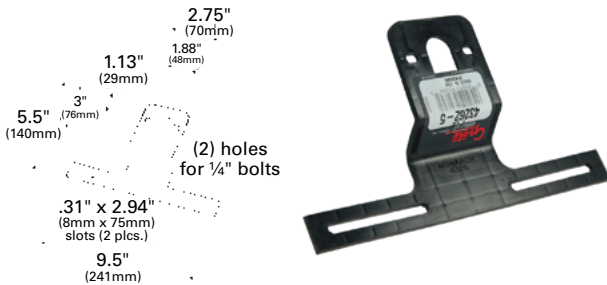
**STROBE AND BEACON MOUNTING ADAPTER FOR MIRROR BRACKET ASSEMBLY**

Allows for mounting of strobe and beacon warning lamps to mirror bracket assembly

**PIPE MOUNT:**

**93600** Aluminum/Steel Bracket w/ 1" Built-in Mount

**Material:** Aluminum/Steel  
**Finish:** Gray  
**VMRS Code:** 034-001-051

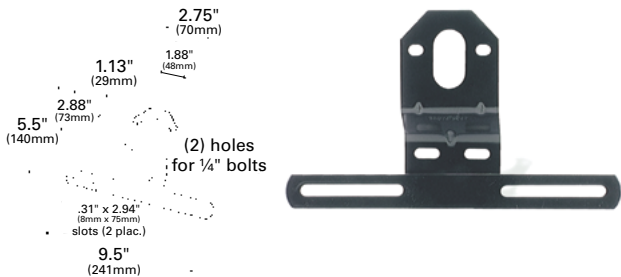


**UNIVERSAL OFFSET LICENSE PLATE BRACKET**

For use with most standard two-stud box-style lamps and license plates

**43262-5** Black **RETAIL**

**Material:** Polypropylene  
**Finish:** Black  
**VMRS Code:** 034-004-036



**UNIVERSAL STEEL OFFSET LICENSE PLATE BRACKET**

For use with most standard two-stud box-style lamps and license plates

**43022** Black, Powder-Coated  
**43022-5** Black, Powder-Coated **RETAIL**

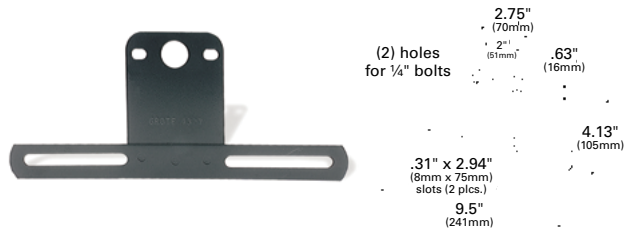
**Material:** Steel  
**Finish:** Black  
**VMRS Code:** 034-004-036

### UNIVERSAL STEEL LICENSE PLATE BRACKET

For use with most standard two-stud box-style lamps and license plates

**43272** Black, Powder-Coated  
**43272-5** Black, Powder-Coated *RETAIL*

**Material:** Steel  
**Finish:** Black  
**VMRS Code:** 034-004-036

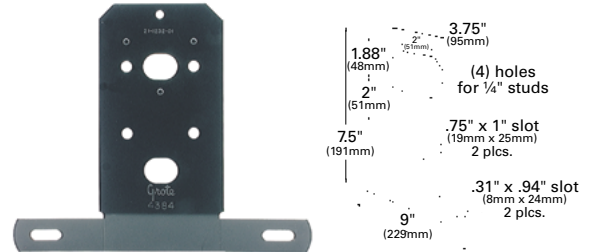


### UNIVERSAL STEEL LICENSE PLATE BRACKET

For use with most standard two- or three-stud box-style lamps and license plates

**43842** Black, Powder-Coated

**Material:** Steel  
**Finish:** Black  
**VMRS Code:** 034-004-036



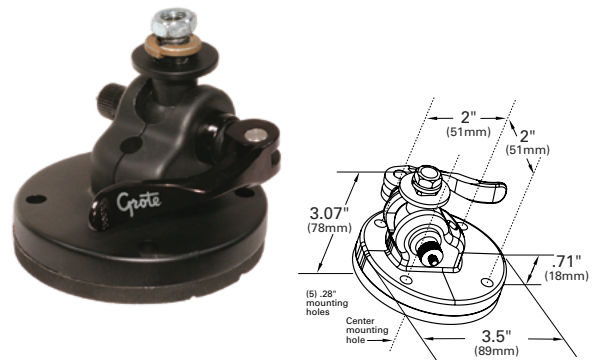
### ADJUSTABLE BRACKET FOR TRILLIANT® LAMPS

Adjustable and lockable bracket for the Trilliant® LED Whitelight lamps

- Provides more aiming control and more reliability than the standard bracket
- Cantilever locking mechanism stays in place in even the harshest environments

**43652** Bracket, Black

**Material:** Zinc  
**Finish:** Black  
**VMRS Code:** 034-006-034

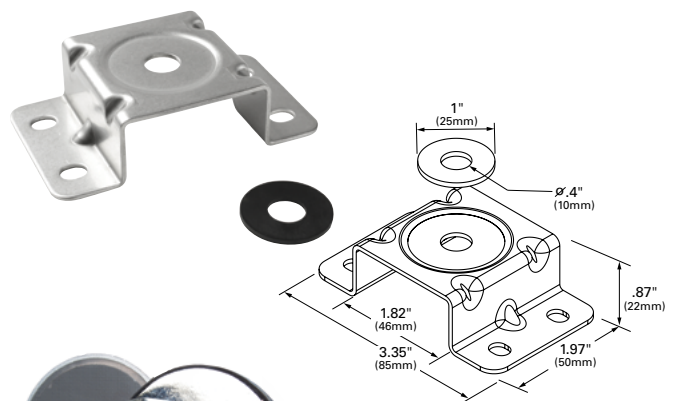


### WORK LIGHT MOUNTING BRACKET

- Designed to work with most Trilliant® and Brite Zone® work lights
- Allows work lamps to pivot without damage to vehicle
- Robust construction to withstand multiple hours of vibration
- Mount direct to vehicle with M6 fasteners

**94450** Steel Mounting Bracket

**Material:** 16 GA Steel  
**VMRS Code:** 034-006-034



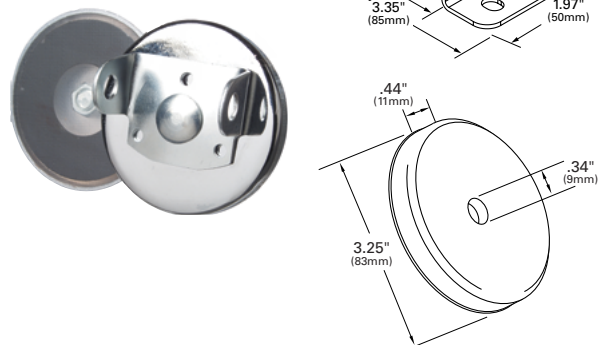
### REPLACEMENT MAGNETIC MOUNT

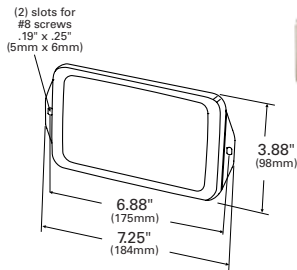
Can be used as a magnetic mount on Par 36 rubber tractor and utility lamps

- Has adhesive magnet pad to prevent scratching of vehicle
- 80 lb. pull magnet

**43300** Magnetic Mount

**Material:** Steel  
**Finish:** Chrome  
**VMRS Code:** 034-001-051



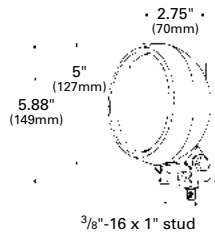


### FLUSH-MOUNT WORK LAMP BRACKET

Add-on bracket to convert the Trilliant® Mini LED Work Lamp into a flush-mount lamp

**94690** Stainless Steel

**Material:** Stainless Steel  
**Finish:** Stainless Steel  
**VMRS Code:** 034-002-002



### PAR 36 RUBBER TRACTOR HOUSING

Shock-absorbing, weather-proof body • Swivel mount

**64930** Black

**Material:** Rubber  
**Finish:** Black  
**VMRS Code:** 034-001-015

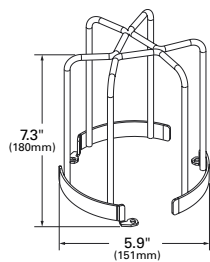


### AGRICULTURE LIGHT ADAPTER BRACKET KIT

Fits Surface-mount LED amber warning & red stop/tail/turn lamps  
 • Surface-mount lamps can be connected as a dual-lamp with use of the adapter bracket

**98130** Agriculture Light Adapter Bracket Kit

**VMRS Code:** 034-004-044

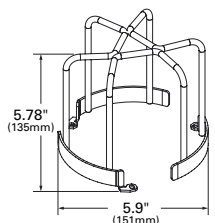


### WARNING & HAZARD 6" BRANCH GUARD

Fits Products: 78051, 78053, 78055, 78061, 78063, 78065, 78081, 78085, 78050, 78052, 78054, 78080

**98460** 6" Branch Guard

**Material:** Steel w/ Black Powder Coat  
**VMRS Code:** 034-004-153



### WARNING & HAZARD 4" BRANCH GUARD

Fits Products: 78031, 78033, 78035, 78071, 78075, 78851, 78070, 78030, 78034, 78851, 78853, 78855

**98470** 4" Branch Guard

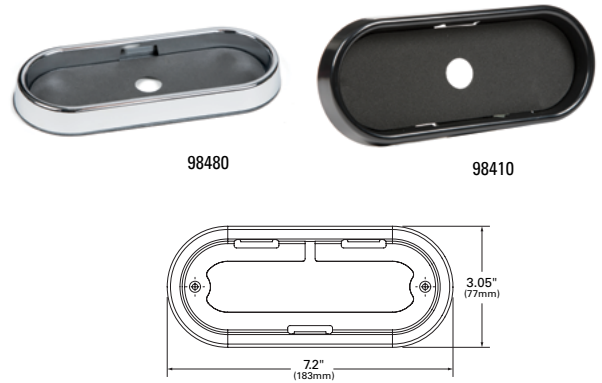
**VMRS Code:** 034-004-153

**WARNING & HAZARD 6" OVAL BEZEL**

Fits Products: 78190, 78191, 78193, 78194, 78195

- 98410 6" Oval Black Bezel
- 98480 6" Oval Chrome Bezel

Material: ABS  
 VMRS Code: 034-001-051



**WARNING & HAZARD DIRECTIONAL  
 WARNING BRACKETS AND BEZELS**

Fits Products: 78140, 78141, 78142, 78143, 78144, 78145, 78146, 78460, 79080, 79100, 79110, 79120

**BRACKET**

- 98350 License Bracket, Aluminum
- 98360 L Bracket, Steel

**BEZEL**

- 98390 Directional Chrome Bezel
- 98400 Directional White Bezel

Material: 98390 - ABS, 98400 - Polycarbonate  
 VMRS Code: 034-001-051

