

LED MATERIAL HANDLING BEACONS

CLASS II, CLASS III FROM GROTE



28

FLASH PATTERNS

SAE

INTERNATIONAL
SAE J845™
STANDARD



GROTE LED



COMPACT SIZE

VOLTAGE:

PERMANENT MOUNT: 12–72 VDC
VACUUM MAGNET MOUNT: 12 VDC

AMP DRAW:

SHORT LENS: 0.4 AMPS (PEAK) @ 12 VDC
TALL LENS: 0.09 AMPS @ 12 VDC
MAGNET MOUNT: 0.4 AMPS (PEAK) @ 12 VDC

APPROVALS:

SAE J845 CLASS II (AMBER SHORT)
SAE J845 CLASS III (AMBER TALL, WHITE, BLUE, RED)

MATERIALS:

POLYCARBONATE, NYLON

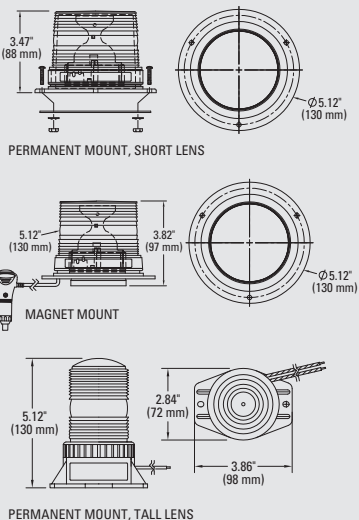
LIGHTWEIGHT & DURABLE WITH 5 COLOR OPTIONS

These beacons include 28 flash patterns (plus 2 steady-on), and feature a conformal coated circuit board to protect circuitry.



FEATURES & BENEFITS

- 78113: selectable Single, Double or Quad flash patterns
- Flanged 3-hole mount on 78093, flanged 2-hole mount on 78113; Twist-off lens for ease of replacement
- 5-year Warranty: 78093 & 78103, 1-year Warranty: 78113



PART #	DESCRIPTION	MOUNT	COLOR
78093	LED MATERIAL HANDLING BEACON, CLASS II, SHORT LENS	PERMANENT MOUNT	AMBER
78113	LED MATERIAL HANDLING BEACON, CLASS III, TALL LENS	PERMANENT MOUNT	AMBER
78091	LED MATERIAL HANDLING BEACON, CLASS III, SHORT LENS	PERMANENT MOUNT	WHITE
78092	LED MATERIAL HANDLING BEACON, CLASS III, SHORT LENS	PERMANENT MOUNT	RED
78094	LED MATERIAL HANDLING BEACON, SHORT LENS*	PERMANENT MOUNT	GREEN
78095	LED MATERIAL HANDLING BEACON, CLASS III, SHORT LENS	PERMANENT MOUNT	BLUE
78103	LED MATERIAL HANDLING BEACON, CLASS II, SHORT LENS	MAGNET MOUNT W/AUX PLUG	AMBER
78101	LED MATERIAL HANDLING BEACON, CLASS III, SHORT LENS	MAGNET MOUNT	WHITE
78102	LED MATERIAL HANDLING BEACON, CLASS III, SHORT LENS	MAGNET MOUNT	RED
78104	LED MATERIAL HANDLING BEACON, SHORT LENS*	MAGNET MOUNT	GREEN
78105	LED MATERIAL HANDLING BEACON, CLASS III, SHORT LENS	MAGNET MOUNT	BLUE
SERVICE PARTS			
98283	7809 REPLACEMENT LENS – 3" HEIGHT		AMBER
98293	7809 REPLACEMENT LENS – 3.9" HEIGHT		AMBER
98281	7809-7810 REPLACEMENT LENS – 3" HEIGHT		CLEAR
98282	7809-7810 REPLACEMENT LENS – 3" HEIGHT		RED
98284	7809-7810 REPLACEMENT LENS – 3" HEIGHT		GREEN
98285	7809-7810 REPLACEMENT LENS – 3" HEIGHT		BLUE

* Not SAE approved



EZ-FIND

SCAN FOR TECH SPECS,
RELATED PRODUCTS
AND MORE

**FOR MORE INFORMATION
VISIT OUR WEBSITE.
GROTE.COM**

