

00563

MATERIAL HANDLING AND COMPACT BEACON DISPLAY FROM GROTE



RETAIL READY



MAXIMIZE SALES



EASY INSTALLATION



DURABLE CONSTRUCTION

OUTPUT SPECIFICATIONS

SHORT BEACON: AMBER, CLASS II, 28 FLASH PATTERNS + STEADY-ON

TALL BEACON: AMBER, CLASS III, 3 FLASH PATTERNS + STEADY-ON

COMPACT BEACON: AMBER, CLASS I, 12 FLASH PATTERNS + STEADY-ON

POWER SUPPLY

INPUT:
NORTH AMERICAN STANDARD, 100-240V

OUTPUT:
12V DC, 4.0A



THIS THREE BEACON DISPLAY IS DESIGNED TO DEMONSTRATE THE VISIBILITY AND PERFORMANCE OF OUR MATERIAL HANDLING AND COMPACT PRODUCTS IN YOUR RETAIL AND MERCHANDISING SPACE

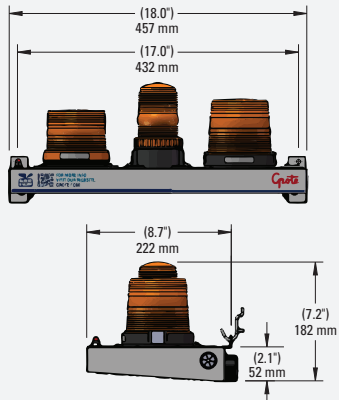
Give you customers the chance to see that bright output does come in small packages. Perfect if you work with customers with lift trucks, landscape or construction equipment.



00563

FEATURES & BENEFITS

- This working display includes versions of our three most-popular material handling and compact LED beacons; Tall Lens LED Material Handling Beacon (78113, Amber, Class III), Short Lens LED Material Handling Beacon (78093, Amber, Class II), and the LED Compact Beacon (79093, Amber, Class I)
- This sturdy, compact display shelf can be installed on pegboard, slatwall or simply on a shelf or counter
- Includes a standard power supply for an easy plug-and-play set-up in your store or showroom
- Features eye-catching graphics aligned with Grote's retail packaging to support your overall merchandising and customer experience
- Includes two peg board S-hooks for easy installation
- Switches: Power On/Off, Flash Pattern – Mom On/Off



PART #	DESCRIPTION	INCLUDES PRODUCTS
00563	MATERIAL HANDLING AND COMPACT BEACON DISPLAY (AMBER, CLASS I, CLASS II, CLASS III)	79093, 78093, 78113



EZ-FIND
SCAN FOR TECH SPECS, RELATED PRODUCTS AND MORE

FOR MORE INFORMATION VISIT OUR WEBSITE. GROTE.COM

