

00543

# DUAL COLOR LED BEACON AND DIRECTIONAL DISPLAY FROM GROTE



RETAIL READY



MAXIMIZE SALES



EASY INSTALLATION



DURABLE CONSTRUCTION

**OUTPUT SPECIFICATIONS**

**BEACON:** AMBER/GREEN, 12 FLASH PATTERNS (EACH PHASE) + STEADY-ON

**DIRECTIONAL:** AMBER/GREEN, 12 FLASH PATTERNS + STEADY-ON

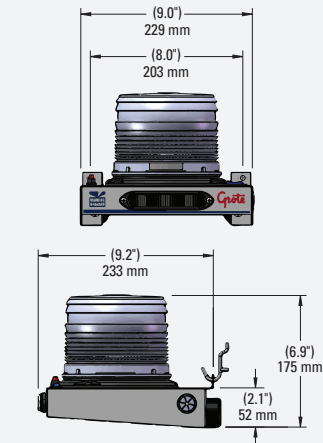
**POWER SUPPLY**

**INPUT:** NORTH AMERICAN STANDARD, 100-240V

**OUTPUT:** 12V DC, 4.0A



00543



**HIGHLIGHT THE VERSATILE PERFORMANCE OF GROTE’S DUAL COLOR LED BEACONS AND THE EYE-CATCHING OUTPUT OF OUR DUAL COLOR DIRECTIONAL LED WARNING LIGHTS IN YOUR SHOWROOM TODAY**

Allow your customers to see firsthand what dual color output products can offer, versatile performance, eye-catching patterns and improved safety on our roads.

**FEATURES & BENEFITS**

- This working display shows two brilliant examples of our Dual Color LED Warning & Hazard products, our Dual Color Short Lens LED Beacon (78070, Amber/Green) and our 6-Diode Dual Color LED Directional Light (78140, Amber/Green)
- This sturdy, compact display shelf can be installed on pegboard, slatwall or simply on a shelf or counter
- Includes a standard power supply for an easy plug-and-play set-up in your store or showroom
- Features eye-catching graphics aligned with Grote’s retail packaging to support your overall merchandising and customer experience
- Includes two peg board S-hooks for easy installation
- Switches: Power On/Off, Flash Pattern – Mom On/Off

PART #	DESCRIPTION	INCLUDES PRODUCTS
00543	LED DUAL COLOR BEACON AND DIRECTIONAL DISPLAY (AMBER/GREEN, PERMANENT MOUNT)	78070, 78140



**EZ-FIND**  
SCAN FOR TECH SPECS, RELATED PRODUCTS AND MORE

**FOR MORE INFORMATION VISIT OUR WEBSITE. GROTE.COM**

