

LED Battery Operated Warning Light

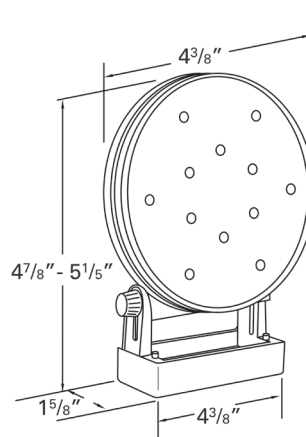
Data Sheet

WARNING AND HAZARD LIGHTING



PRODUCT SPECIFICATIONS

MATERIAL: NYLON/POLYCARBONATE
FINISH: YELLOW



Deploy this Flasher on any metal surface in seconds

- Gives long range LED warning.
- No cords to plug in.
- Three warning patterns to choose from.
- 72 hours of operation on two AA batteries. (batteries not included)
- Available in yellow.
- Includes a magnetic base
- Adjusts 180°
- 3 User-selectable light patterns

Part Number	Termination	Operating Voltage	Material
77923	NONE	2 x AA BATTERIES	NYLON/POLYCARBONATE

2600 Lanier Drive, Madison, Indiana U.S.A. 47250-0550
U.S. **800.628.0809** Canada **800.268.5612**
Europe **+49 9962/20008-0** Mexico **011 (52) 81-8262-4400**

grote.com

